

## DEMINEING TILLER

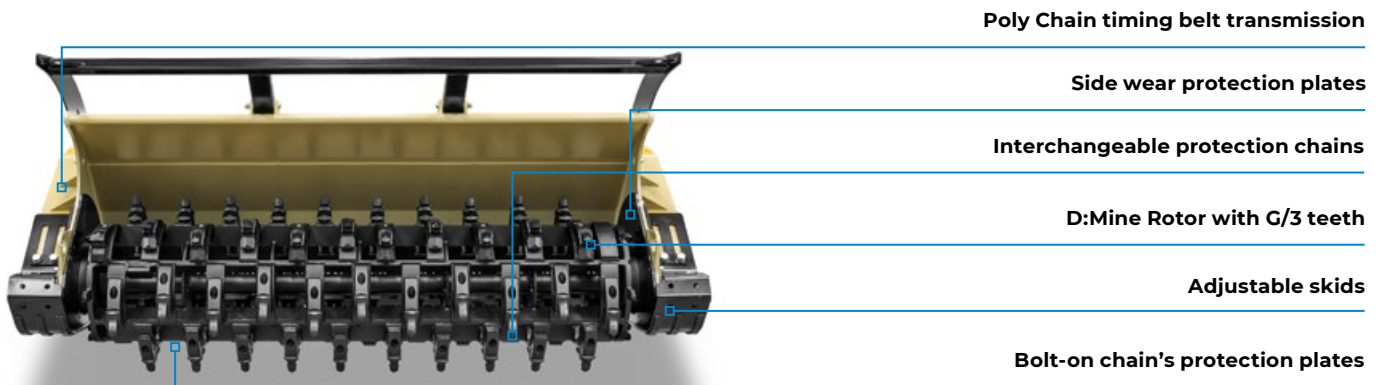
# 300/TD/DM

### Demining head with fixed-tooth rotor.

The 300/TD/DM demining tiller has a fixed-tooth rotor designed specifically for demining work. The specially designed frame and rotor, along with the materials used, make it extremely resistant to explosions.



Depth 25 cm

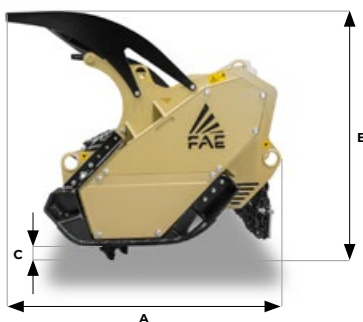


#### MODEL

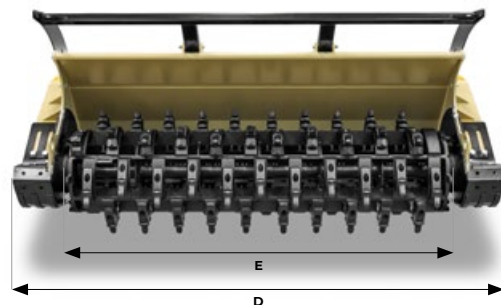
300/TD/DM300-250

Head type	Demining Tiller
Working width (mm)	2500
Total width (mm)	3125
Weight (kg)	3800
Rotor diameter (mm)	885
No. teeth type G/3+STC/3/FP+BAZ	62+2+4

Data refers to machine as standard. The technical data in this catalogue may be altered.



<b>A</b> Total length	1600 mm
<b>B</b> Max height	1530 mm
<b>C</b> Rotor protrusion	215 mm



<b>D</b> Total width	3125 mm
<b>E</b> Working width	2500 mm

#### ROTOR TYPE G



**TOOTH G/3**  
(standard)



**TOOTH G/3/HD**  
(option)



**TOOTH STC/3/FP**  
(side scraper)